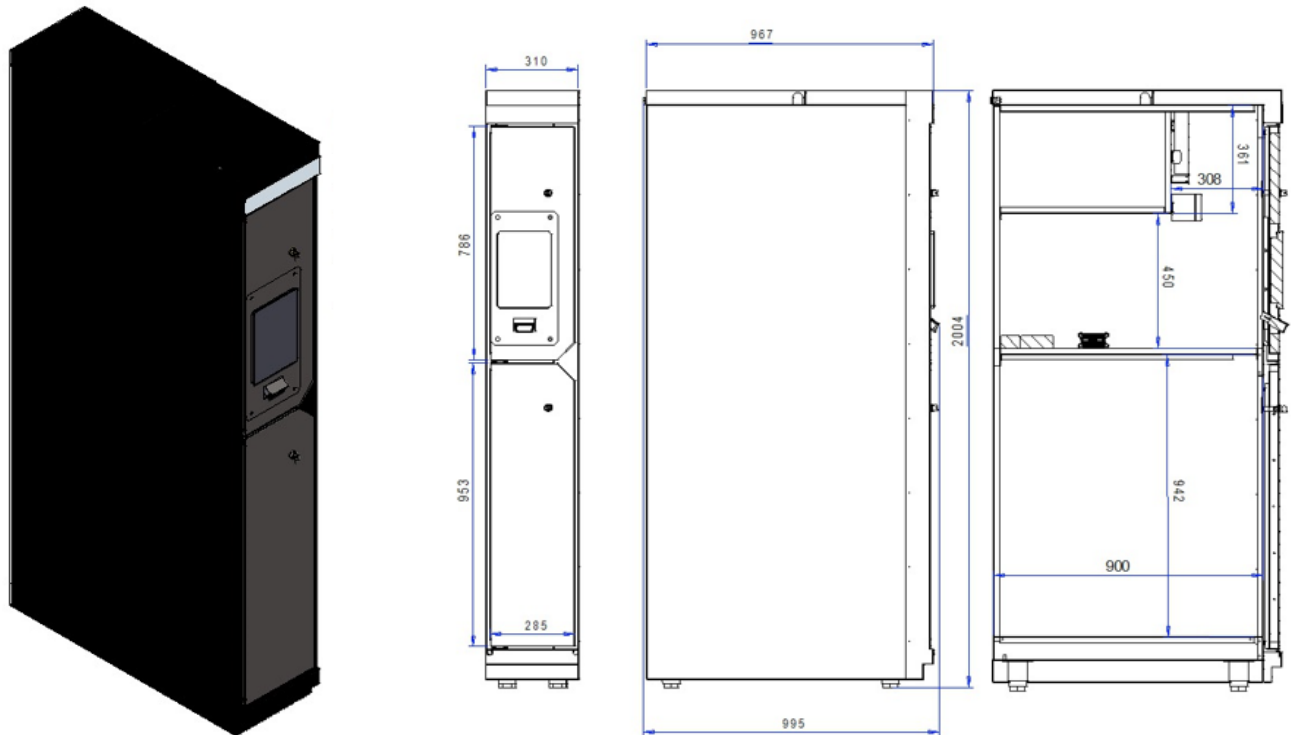


CoolCollect® Indoor Mod 8 UI



Design and Material		Dimensions		Features	
Doors and Type	2 Hinged, Left handed	Outer dimensions mm (WxDxH)	310 x 967 x 2004	Touch screen	Multi 10"
Doors reversible	No	Inner dimensions mm (WxDxH)	195 x 967 x 338	Bar code reader	Yes
Self-closing doors	No	Packing dimensions mm (WxDxH)	322 x 979 x 2004	Connection	wired internet (RJ45)
Door Locks	Mechanical, with keys			Connectivity	
Feet / Legs	4 adjustable			-Temperature monitoring	Yes, XWEB500EVO
Castors	No			-Alarm	Yes, possibility to connect to external alarm system (potential free NO)
				-Ready to connect UPS	Yes
				-Pin-pad lock (when installed behind closed doors)	Yes, optional
Interior light	No			User languages	FI/SE/EN
Handle	Integrated				
Exterior Finish	frame Black RAL9005 FT doors Grey RAL 7015 FT structural painting				
Interior Finish	Grey RAL7015 FT				
Measures and Content		Power & Consumption		Accessories	
Temperature range	Ambient	Energy Consumption	1 kWh /24 h	More user languages	
Climate class	SN, N	Annual Energy Consumption	365 kWh/year		
Operating conditions	max. +25°C / 60 % RH	Voltage / Frequency	230 V / 50 Hz		
Weight net/gross	95 / 98 kg	Noise Level	-dB		
		Power Input	650 W		
		Fuse	10A		