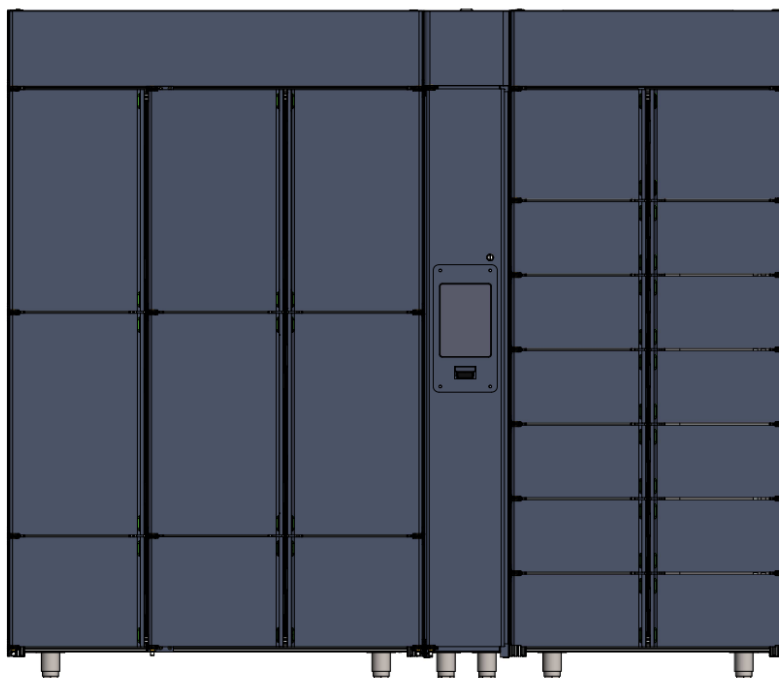


USER MANUAL

AMIRAL

PLUG-IN MODULES





IMPORTANT SAFETY INSTRUCTIONS

1. Before commissioning the automatic machine and in order to achieve optimal operating characteristics,
 1. we recommend reading this user manual.
 2. It is the user's responsibility to operate the machine in accordance with the instructions provided.
 3. If you notice a fault in the operation of the product, contact the seller's/manufacturer's service immediately.
 4. Place the modules in a dry and ventilated place.
 5. Do not place the modules in the immediate vicinity of another heat-giving device or expose it to direct sunlight.
 6. Please note that there is always a risk associated with electrical appliances and their use.
 7. Never store flammable liquids such as thinner, gasoline, etc. in the compartments inside the modules.
 8. We confirm that no asbestos or other environmentally harmful CFCs have been used in the manufacture.

GENERAL

Automat consists of separate Amiral-modules installed in parallel, each with its own separate refrigeration unit. The UI (UserInterface) -module operates as an user terminal and control unit for the automat.

The modules are connected to each other and installed as a complete grocery automat that meets the customer's demand. Automat can be located on the middle floor or against the wall. If necessary, the automat size can be modified and expanded with additional modules according to the need. Ask the manufacturer about the possibilities.

Freezer/cooler lockers are always in separate modules. The number of doors per module may vary according to the customer's needs.

Module doors are operating with magnetic locks (Note: during a power outage, the locks remain open).

INSTALLATION AND SETTING UP THE DEVICE

Before installation take note to the manufactures´ installation drawing and instructions.

Upon order manufacturer confirms all details by delivering 1. **Identified Installation Drawing** and 2. **Check List for preparing the installation site** -documents.



Make sure that all preparations for the installation have been made according to the Installation Drawing and Check List provided by the manufacturer.

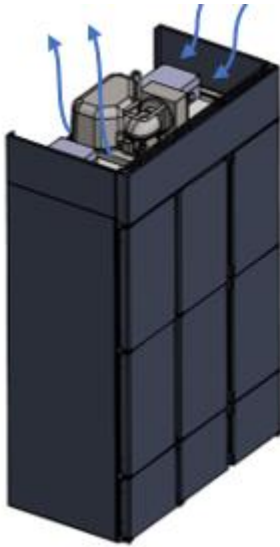
To be noted before installation:

- The devices are designed for indoor installation (climate class 3, operating conditions max. +25°C / 60% relative humidity).
- Refrigeration units generate heat when running, so make sure that the installation space is adequately ventilated
- Pay attention to sufficient installation distances to ensure air circulation in the refrigeration equipment

Air circulation in cooler module:

Air in-take from the top right side.

Air out-take (warm air flowing out) forced by fans upwards to surrounding space from the left side.



Air circulation in freezer module:

Air in-take from the top left side.

Air out-take (warm air flowing out) forced by fans upwards to surrounding space from the right side.



- ethernet – (RJ45) correct location of the plug (wired internet)
- location and number of sockets
- size and number of fuses

To facilitate maintenance, pay attention to the manufacturer's instructions

The modules can be moved with a pump cart. Under the device there are 4 adjustment legs in cooling module and 5 adjustment legs in freezing module. Make sure each device is installed levelled.

The installation and operational testing of automat is always carried out by the manufacturer's own installer team or partners specifically authorized by the manufacturer. Additionally the Software Provider always participate in the final operational testing.

ELECTRICAL CONNECTIONS

The device operates on 230 V/50 Hz mains power. The modules are suitable for connection to normal grounded sockets with a universal 10A fuse. Never use an extension cord for connecting the device.

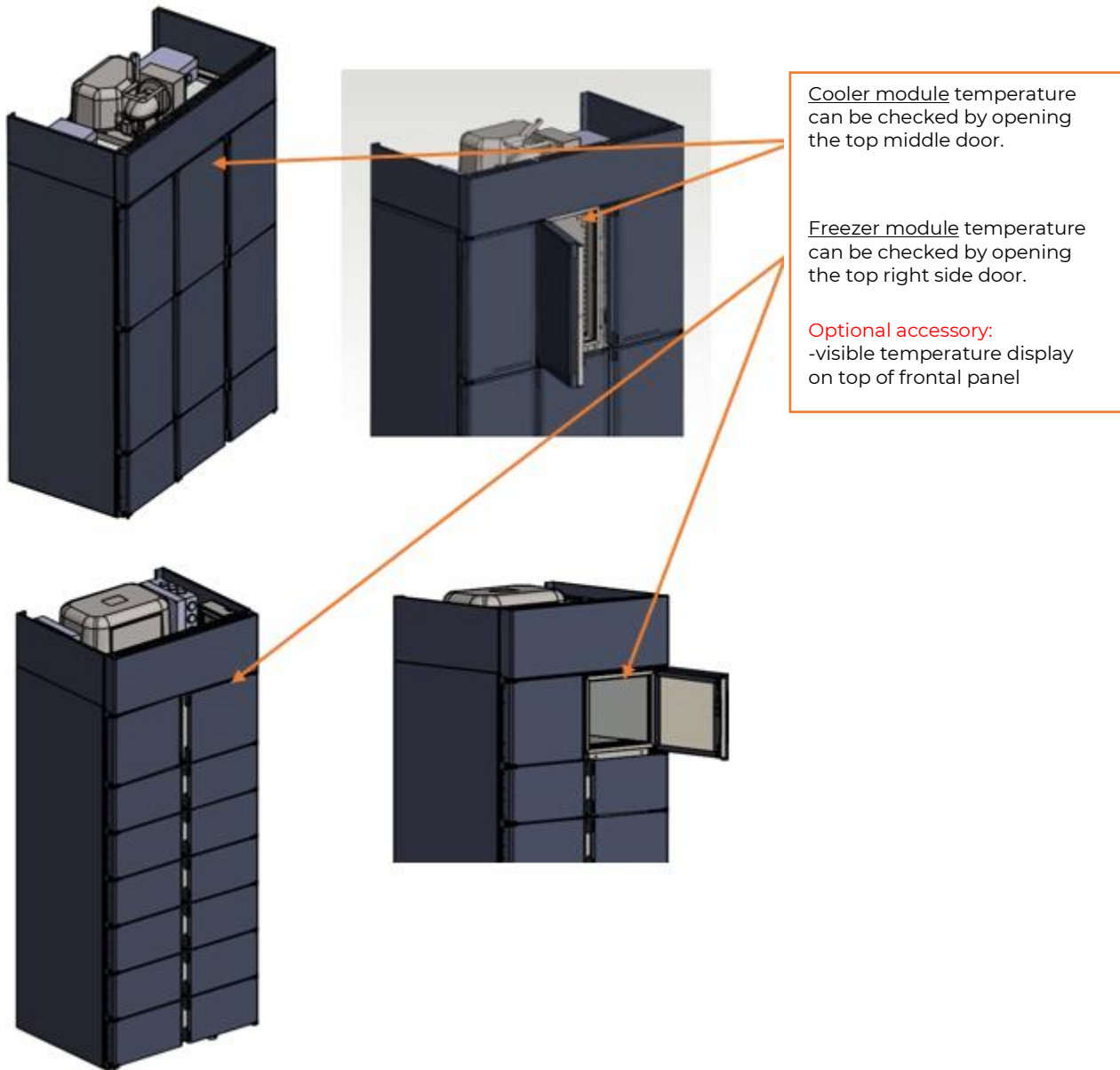
All electrical work must be done by a certified electrician.

TEMPERATURE CONTROL

Each module of the automat is equipped with electronic temperature control (Dixell XR77)
Each module has its own controller, which can be found at the top of the device behind the top plate.

The optimal settings of the controller are pre-adjusted at the factory by the manufacturer.

The settings should be changed only by a service technician authorized by the manufacturer.



Each automat created from several cooler and freezer modules includes temperature monitoring unit, which is located into UserInterface -module



Temperature monitoring unit is located inside UserInterface-module

VPN (virtual private network) connection between temperature monitoring unit and the installation site network is activated during the installation. It allows manufacturer remotely to control automat operation and re-set thermostat controller parameters if needed.

DEFROST

The modules of the automat work with an automatic defrosting. The defrosted water is directed to an internal water pool, from where it automatically evaporates.

MAINTENANCE AND CLEANING

The inner and outer surfaces of the vending machine as well as door seals should be regularly cleaned with a mild detergent. After this, dry the surfaces. Do not use substances that contain bleaching or other chemical ingredients when cleaning, as these may damage surfaces.

Each module has its own separate refrigeration and freezing machinery.

NEVER rinse the compressor compartment with water, as this may cause short circuits and damage to electrical components.

All modules have their own power cable.

The condenser is located at the top of the module, behind the top plate. The top plate can be removed by gently lifting.



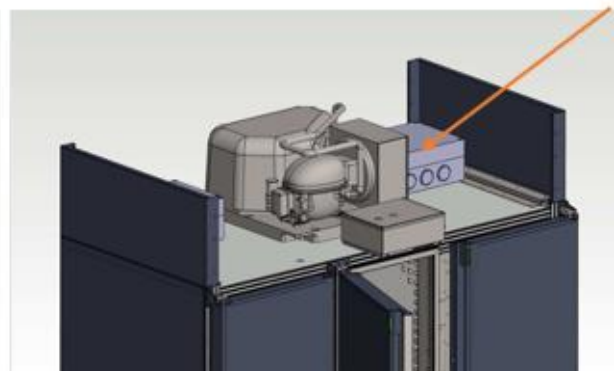
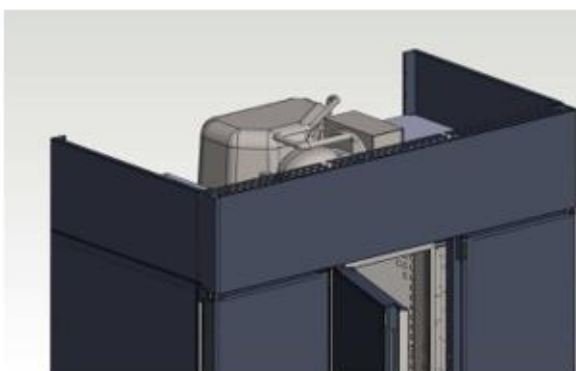
It is recommended to clean the condenser at least two (2) times / year or as needed. The customer can take care of the cleaning themselves or ask the manufacturer for a service offer. Separate service agreement from the manufacturer available on request.

If the device does not work due to clogging of the condenser, the warranty does not cover the maintenance costs.

Lamel condenser is located on top of the module behind a removable frontal panel.

Remove the frontal panel by removing the side screws behind the panel. Use screwdriver or cordless drill.

Clean the condenser by using a vacuum cleaner and a stiff brush. Be careful not to damage thin condenser lamels while cleaning!



MAINTENANCE AND POSSIBLE MALFUNCTIONS

If your devices experience software problems, check for the following possible causes:

- ***The power cord is disconnected or broken***
- ***The Ethernet cable is not connected, assembled wrongly or broken***
- ***The fuse is broken***
- ***Power outage***

If the problem persists, contact software supplier's service.

If the appliance experiences refrigeration problems or breakdowns of mechanical parts, contact the manufacturer's service.

Mechanical parts include:

- ***Doors***
- ***Gaskets***
- ***Handle***
- ***Led- lights***
- ***Locks***
- ***or other structural element***

When contacting the service, mention:

- o **Precise location of the device**
- o **Your other contact information**
- o **As accurate description of the problem as possible**

The product plate of each module can be found on the back wall of the device.

DISPOSAL

The disposal of refrigeration equipment must be carried out in an environmentally friendly manner as required by law. Please note the current regulations regarding the disposal of refrigeration equipment.

In professional use, the costs of disposing of WEEE waste are borne by the manufacturer of the product. The costs of recycling WEEE waste have been paid by the manufacturer of this equipment and can be delivered to the WEEE waste recycling center free of charge.



TECHNICAL SPECIFICATIONS

The automat may consist of the Admiral -modules described below:

USER INTERFACE

External dimensions (W x D x H)	300 x 802 x 2365 mm
Net weight (kg):	105 kg
Fuse:	10 A
Connection power (W):	650
Operator display:	10" Touch screen

The module includes the automation supplier's equipment and a temperature monitoring control unit.

C9/C12/C15

External dimensions (W x D x H):	1470 x 802 x 2365 mm
Internal dimensions (W x D x H): 15 cooler lockers	449 x 605 x 389 mm
Doorway (W x H):	370 x 305 mm
Net weight (kg):	319 kg
Temperature range:	+4...+8° C
Fuse:	10 A
Net volume (l):	1508 liters
Connection power (W):	336 W
Defrost:	Automatic
Refrigerant:	R290
Thermostat:	Electronic
Climate class:	3
Operating conditions:	Max +25 °C / 60 % relative humidity

F10/F14

External dimensions (W x D x H):	980 x 802 x 2365 mm
Internal dimensions (W x D x H): 14 freezer lockers	430 x 605 x 398 mm (big, 2 lockers) 430 x 605 x 262 mm (small, 12 lockers)
Doorway (W x H):	370 x 173 mm (small), 370 x 305 mm (big)
Net weight (kg):	276 kg
Temperature range:	-18...-20° C
Fuse:	10 A
Net volume (l):	964 liters
Connection power (W):	732 W
Defrost:	Hot gas
Refrigerant:	R290
Thermostat:	Electronic
Climate class:	3
Operating conditions:	Max +25 °C / 60 % relative humidity

WARRANTY

The devices have a 2-year operating warranty guaranteed by the manufacturer.

The warranty terms are determined by Coolcenter Forssa Oy's general delivery terms.

The software supplier is responsible for the hardware of the automated operating software (touch screen, PC, RFID reader, router, etc.) as well as programming, functional testing and user guidance for the customer. The software provider defines and is separately responsible for their warranty.

Service contact

Coolcenter Forssa Oy
Sipilänkatu 11
30100 FORSSA, Finland

Matti Moisander
tel. +358 50 3560987
email: service@coolcenter.fi

Manufacturer

